

# Wall-hung Commercial gas-fired condensing boilers



## MCA Pro 45/65/90/115

### Condensing at the cutting edge of innovation

- Low nox emissions and great energy savings
- Intelligent and simple Ini control system
- Fully modulating for precise control
- Four models: 156, 235, 326 and 399 MBH
- Suitable for use with aluminum friendly antifreeze. (consult factory for approved manufacturers)

**De Dietrich's** great history started in 1684 in beautiful Strasbourg, France. De Dietrich is proudly the oldest boiler manufacture in the world. With this extensive experience came the MCA PRO series of wall hung condensing boilers. Over 30 years of condensing technology has been put into the MCA PRO wall hung condensing boilers.

- Durable Cast Aluminum Heat Exchanger
- State of the art boiler control system with outdoor compensator
- Low pressure drop
- Single or cascade multiple boilers
- Low NO<sub>x</sub> standard
- Venting with PVC, CPVC, PP or SS



**ECONOMICAL AND  
ENVIRONMENTALLY FRIENDLY  
TOGETHER FOR THE BEST**

**CUSTOMISED COMFORT  
HOT WATER IN ABUNDANCE**

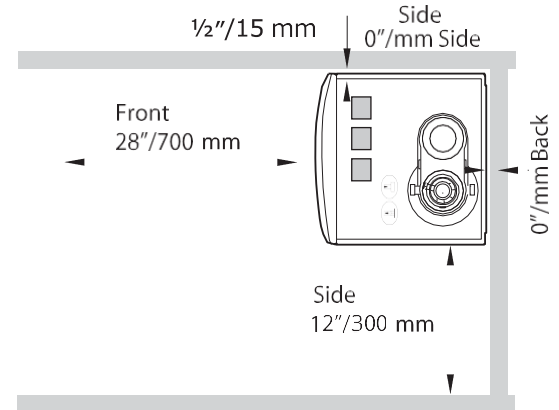
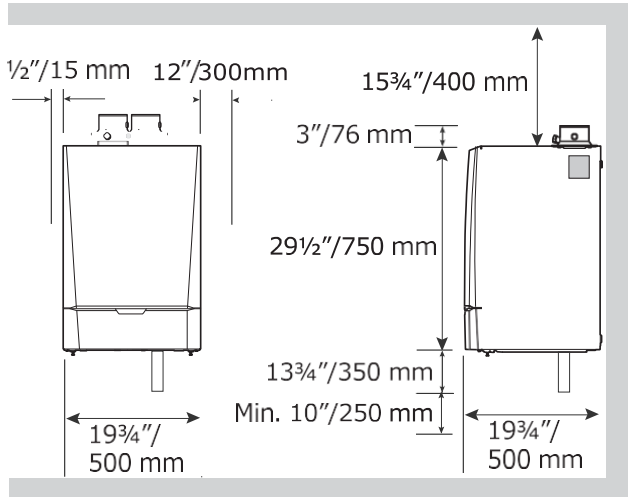
**INSTALLATION AND MAINTENANCE  
THE SENSE OF SIMPLICITY**



**De Dietrich**   
**B O I L E R S**

1090 Fountain Street North, Unit 10  
Cambridge, Ontario N3E 1A3 Canada  
Tel: 519-650-0420 / Fax: 519-650-1709  
Toll Free: 800-943-6275  
[www.dedietrichboilers.com](http://www.dedietrichboilers.com)  
[info@dedietrichboilers.com](mailto:info@dedietrichboilers.com)

## Technical Specifications



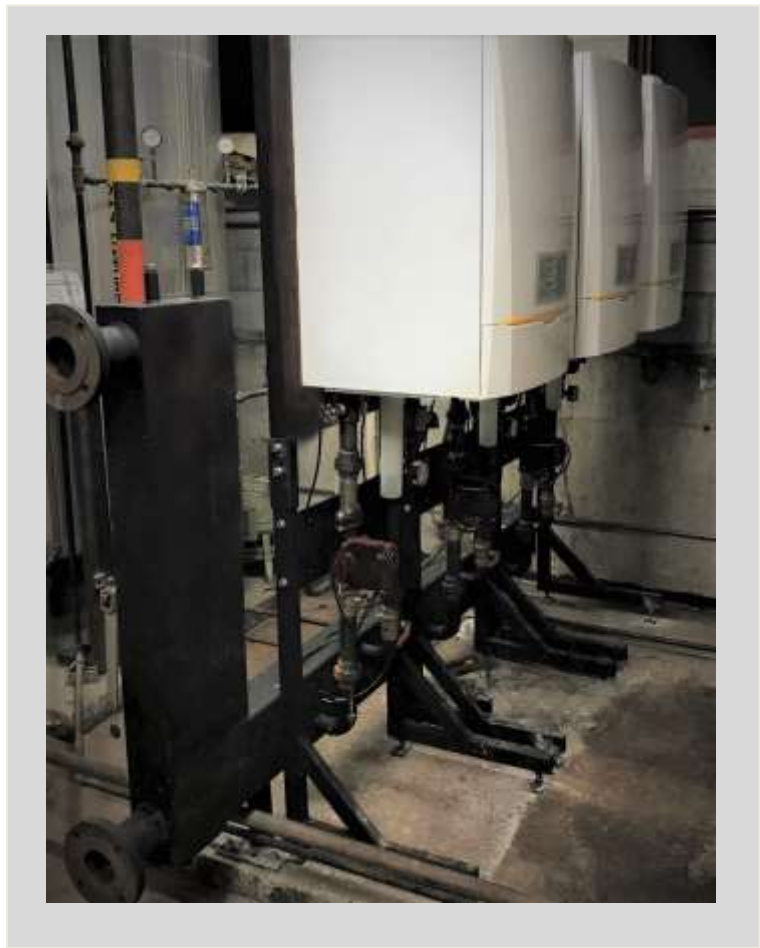
	Item	Unit	MCA Pro			
			45	65	90*	115
<b>General</b>	Minimum Fuel Input	MBH/kW	34/9.9	46/13.6	55/16.2	82/24.0
	Maximum Fuel Input	MBH/kW	156/45.7	235/68.8	326/95.5	399/117.0
	Minimum Heat Output	MBH/kW	33/9.6	45/13.3	45/15.8	79/23.1
	Maximum Heat Output	MBH/kW	146/43.0	222/65.0	306/89.5	368/108.0
<b>Gas Venting</b>	Gas Type	-	Natural gas/Propane (LPG) * Model 90 not available for Propane			
	Gas Inlet Pressure-Natural Gas	inch w.c./mbar	3.5-14/8.7-35			
	Gas Inlet Pressure-Propane	inch w.c./mbar	8-13/20-32.5			
	NO <sub>x</sub> Emission	ppm	<20			
	Gas Vent Category	Types	IV-BH : ANSI Z21.13a / CSA 4.9			
	Vent Size - Single Pipe	inch/mm	3/76.2	4/101.6	4/101.64	4/101.6
	Vent Size - Concentric Pipe	inch/mm	80/125	100/150	100/150	100/150
<b>Water</b>	Max. Water Temperature Safety Limit	°F/°C	230/110			
	Operating Water Temp. Rang PVC	°F/°C	68-158/20-70			
	Operating Water Temp. Range CPVC/PP/SS	°F/°C	68-190/20-88			
	Water Pressure Range	psig/bar	56/3.9			
	Water Content	USG/L	1.5/5.5	1.7/6.5	2.0/7.5	2.0/7.5
	Water Flow Min	USGPH	425	640	890	1360
	Water Flow Max.	USGPH	1050	1450	1700	1700
	Water Resistance (ΔT = 36°F/20°C)	ft H <sub>2</sub> O	3.0	4.4	4.7	8.2
		mbar	90	130	140	245
<b>Electrical</b>	Main Supply	v/H/P	120/60/1			
	Rating of the Main Fuse F1	A	6.3A			
	Power Consumption	W	3.5-68	3.5-79	3.5-129	3.5-209
	Electrical Protection Index	IP-IEC-NEMA	IP X4D / NEMA-3R			
<b>Other</b>	CSA Certified Installation Altitude	ft/m	Max. 4,500/1,370 (Canada) For higher altitudes consult factory			
	Dry Boiler Weight	Lbs/kg	117/53	133/60	148/67	150/68
	Wetted Weight	Lbs/kg	130/59	147/67	165/75	167/76
	Noise Level at 3ft	dB(A)	45	45	52	51



H



- **NEW FULLY FACTORY ASSEMBLED CASCADE UNITS**
- **OPTIONAL LOW LOSS HEADER**
- **INPUT RANGE FROM SINGLE 156 MBH TO 8 UNIT 3200 MBH CASCADE**



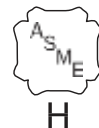
**CASCADE UNIT OPTIONS INCLUDE**

- **FLOOR STAND AND SUPPORT**
- **PUMPS**
- **SUPPLY/RETURN HEADERS**
- **GAS SUPPLY HEADER**
- **ISOLATION VALVES**
- **DRAINS**
- **NEUTRALIZER KIT OPTION**
- **CASCADE CONTROL OPTION**
- **LOW LOSS HEADER OPTION**

**3 X MCA 400 MBH TOTAL 1200 MBH WITH LOWLOSS HEADER**



1090 Fountain Street North, Unit 10, Cambridge, Ontario N3E 1A3 Canada  
Tel: 519-650-0420 / Fax: 519-650-1709 Toll Free: 800-943-6275  
www.dedietrichboilers.com info@dedietrichboilers.com



H



C US

