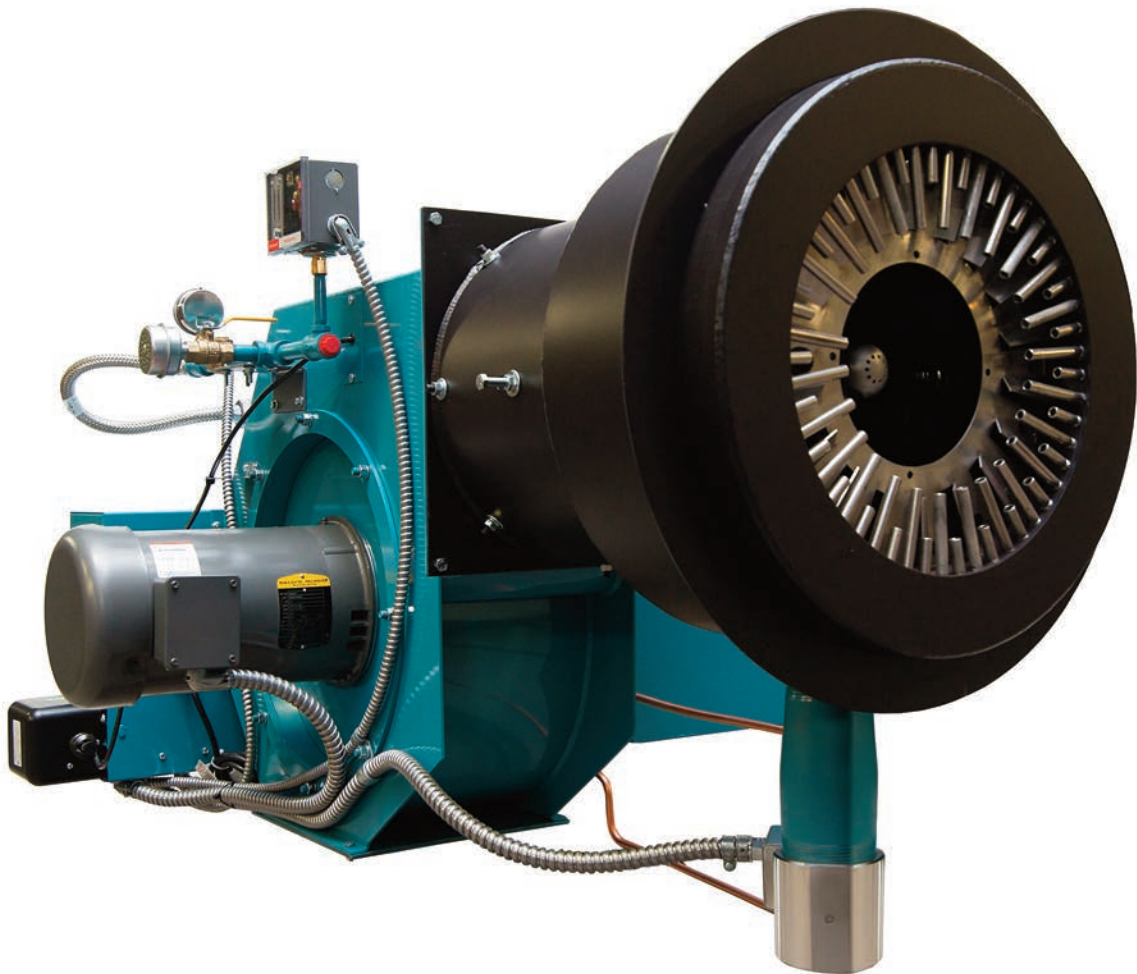


JBE(X) Series Burners

**High Efficiency, Low Excess Air,
Low Emissions**



Burner sizes: 200HP up to 1750HP JBE
and 200HP up to 1500HP JBEX

Benefits Of The JBE(X) High Efficiency Burner



Webster has combined their unique high swirl firing head technology with a more efficient in-line combustion air fan to provide superior mixing of the fuel and air, and lower motor horsepower requirements. This combination allows the JBE series burners to operate with low excess air across a large operating range. Less excess air means high fuel efficiency, and

high efficiency combined with high turndown means very low heat loss in your boiler that can result from cycling when a burner is stopping and starting. The end result is that the new Webster JBE will provide fast payback and the best possible return on your burner investment. Contact your Webster representative today so they can show you how much you can save by replacing your burner with a new Webster JBE!

When combined with Webster's patented Temp-A-Trim™, the JBE(X) burner will maintain even lower excess air levels as operating conditions change, saving fuel and electricity and lowering maintenance costs. The JBE(X) is available for Scotch-Marine, firetube, watertube, flextube, firebox, and other heaters and vessel types.

JBE and JBEX Features

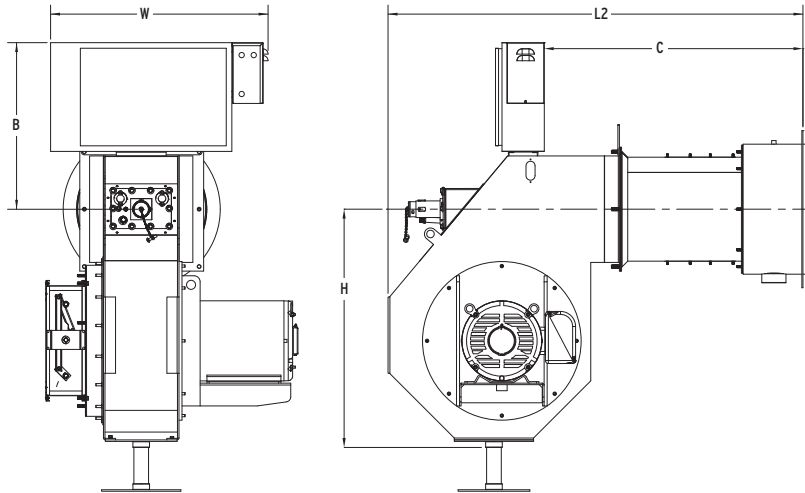
- Excellent flame stability for reliable low NOx performance
- Low excess air for extremely efficient operation
- Low Motor HP requirements and highly efficient combustion air fans to optimize electrical efficiency and provide a fast payback
- High turndown rates
 - ✦ Up to 12 to 1 on Gas firing
 - ✦ Up to 10 to 1 on oil firing
- High turbulence for better fuel mixing
- Fire multiple fuels
 - ✦ Natural, LP or Digester gas
 - ✦ No. 2 through No. 6 Oils
- Configurable blower housing to match application requirements
- Field-proven ignition system with an extremely stable pilot
- IFGR system with a shutoff valve in the flue gas recirculation duct to prevent fuel gas from re-entering the burner during the purge cycle
- Easy access to firing head, fan and FGR duct for maintenance
- Improved air damper with adjustable opening speeds for better turndown
- UL/cUL approved up to JBE(X)9-400M for Natural Gas and No. 2 Oil applications
- Integral combustion air fan and motor are housed in a single assembly for easy removal and inspection
- Fire all types of boilers: Scotch-Marine Firetube, Watertube, Flextube, Firebox, as well as heaters and other vessels
- Options for both pressure and air atomized oil systems



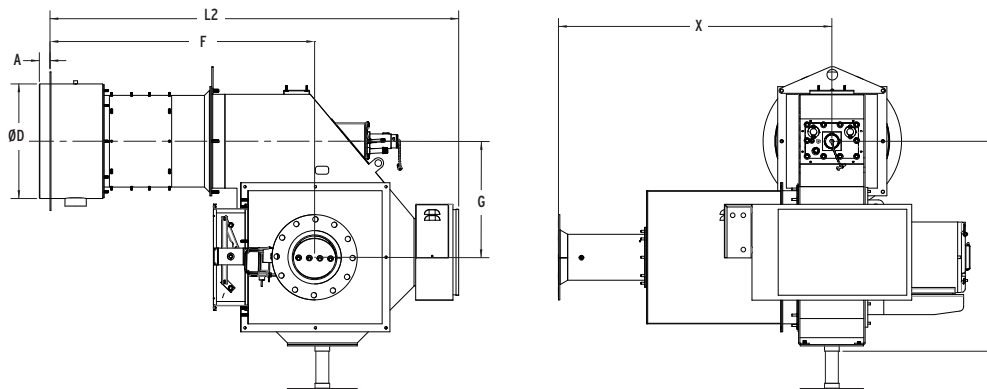
Webster Combustion has the best lead times in the industry. To configure the perfect JBE(X) burner for your application and obtain current scheduling information, contact Webster or visit www.webster-engineering.com to locate a sales office in your area.

JBE(X) Burner Sizes

JBE(X) NO FGR, TOP MOUNT PANEL



JBE(X) WITH FGR AND BACK MOUNT PANEL



MODEL*	Min Req'd Gas Press.	Std Gas Train Size	Max Firing Rate (MBH) STD	Max Firing Rate (MBH) w/FGR	Fan Motor HP	DIMENSIONS (INCHES)										
						A**	B	C	D	F	G	H	L1	L2	W	X
JBE5(X)-50J	1.75	3	13,990	11,610	5	2	24.5	25.6	18.2	36	9.7	21.3	49.4	57.5	36	40.7
JBE5(X)-75J	2	3	15,700	13,030	7.5	2	24.5	25.6	18.2	36	9.7	21.3	49.4	57.5	36	40.7
JBE5(X)-75K	2	3	19,000	15,770	7.5	2	24.5	25.6	19.2	36	9.7	21.3	49.4	57.5	36	40.7
JBE7(X)-100K	2.5	3	22,200	18,450	10	2	27.6	42.8	21.6	49.7	15.9	38	68.7	76.8	36	51.4
JBE7(X)-150L	2.5	3	26,560	22,050	15	2	27.6	42.8	21.5	49.7	15.9	38	68.7	76.8	36	51.4
JBE7(X)-200M	3.25	3	34,500	28,635	20	2	27.6	42.8	23.5	49.7	15.9	38	68.7	76.8	36	51.4
JBE7(X)-250M	4	3	36,915	30,640	25	2	27.6	42.8	23.5	49.7	15.9	38	68.7	76.8	36	51.4
JBE9(X)-300M	5	3	42,000	34,860	30	2	30.7	65	23.5	63.2	24.2	43.7	87.1	95.2	36	56.8
JBE9(X)-400M	5	3	55,000	45,650	40	2	30.7	65	23.5	63.2	24.2	43.7	87.1	95.2	36	56.8
JBE9(X)-500N	5	3	60,000	49,800	50	2	30.7	64.6	25.6	62.8	24.2	43.7	86.7	94.8	36	56.8
JBE9(X)-600P	6	4	68,000	56,440	60	2	30.7	75.9	29.9	74.1	24.2	43.7	98	106.1	36	56.8
JBE9(X)-750P	7	4	74,000	62,900	75	2	30.7	75.9	29.9	74.1	24.2	43.7	98	106.1	36	56.8

* Can be "G" (Gas), "O" (Oil) or "C" (Combination Gas/Oil) ** 2" Nose length is standard. May be different depending on vessel insertion depth.



The Better Boiler Burner.

Represented By

619 Industrial Road, Winfield, KS 67156 / Phone: 620-221-7464 / Fax: 620-221-9447
www.webster-engineering.com / sales@webster-engineering.com