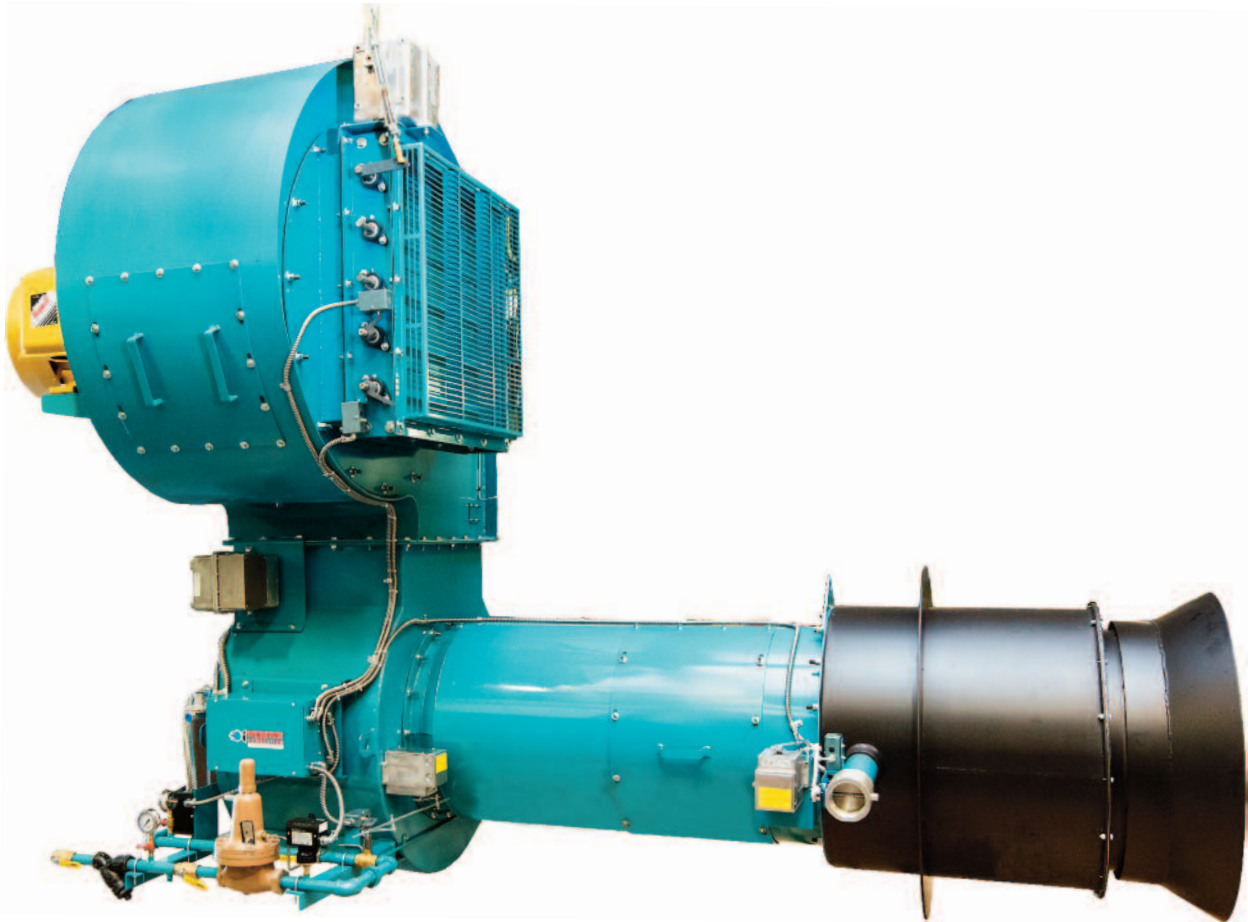


HDRA-RF Series Burners

Multi-Fuel Burners for the Asphalt Industry



Total Air Burner with Automatic Flame Shaping
For Firing Rates from 50,000,000 up to 200,000,000 Btu/Hr

Benefits Of The HDRA-RF Multi-Fuel Asphalt Burner



The Webster Combustion model HDRA-RF is a register-style burner that allows users to shape the flame by automatically controlling the register vanes to optimally fit their dryer and combustion zone. This allows the Webster burner to operate with a shorter flame than products offered by other asphalt burner manufacturers. This flame-shaping capability means the flame will not impinge on the material, and CO can be maintained at much lower levels than currently available. In addition, NOx levels for the HDRA-RF are significantly lower than typically seen in

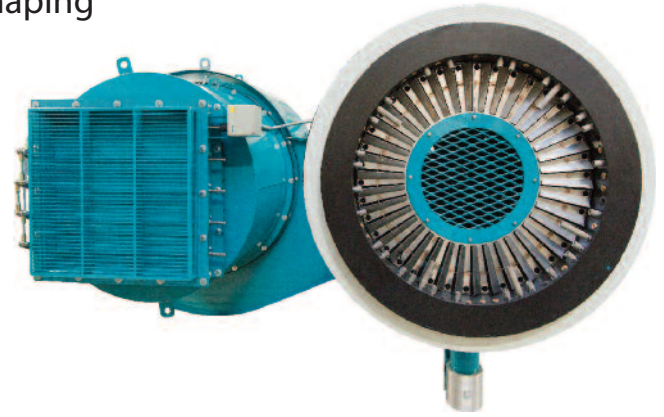
asphalt applications. The Webster Combustion HDRA-RF operates with lower motor HP, an optionally supplied VFD and an inlet air damper, which allows for higher turndown ranges to reduce energy usage and provide greater total energy savings.

The Webster Combustion HDRA-RF burner readily adapts to mount on both Parallel Flow and Counter Flow Dryers, and the burner housing and fan can be installed in multiple configurations depending on space constraints and elevator location. The Webster Combustion HDRA-RF Series Asphalt Burner is capable of burning a wide range of fuels, either separately or simultaneously, including Natural, LP, and low BTU gas, all commercially available grades of fuel oil, and qualified waste oils. A dual-manifold combustion head is available for applications firing multiple gas fuels.

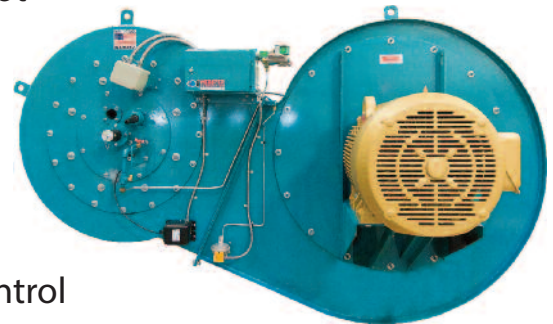
A wide choice of burner arrangements is available with the HDRA-RF package burner system. Webster's engineering team will assist you in designing the best arrangement for your application. Flexibility in design and assembly means that the HDRA-RF can be applied to a wide variety of heater applications.

HDRA-RF Features

- Excellent flame stability for reliable performance
- Low excess air for extremely efficient operation
- Fully modulating register for automatic flame shaping
- High turndown rates
 - ✦ Up to 10 to 1 on Gas firing
 - ✦ Up to 8 to 1 on oil firing
- High combustion efficiency
 - Fire multiple fuels
 - ✦ Natural, LP, or Digester gas
 - ✦ No. 2 through No. 6 Oils
- Configurable blower housing to match application requirements
- Proven ignition system with an extremely stable pilot
- High efficiency combustion air fans to optimize electrical needs
- Access doors for easy service of firing head and fan for maintenance
- Remote mounted combustion air fan and motor
- Optional VFD and inlet air damper for precise air control
- Air atomized oil systems may include an optional air compressor supplied with the burner package



HDRA-RF Front View

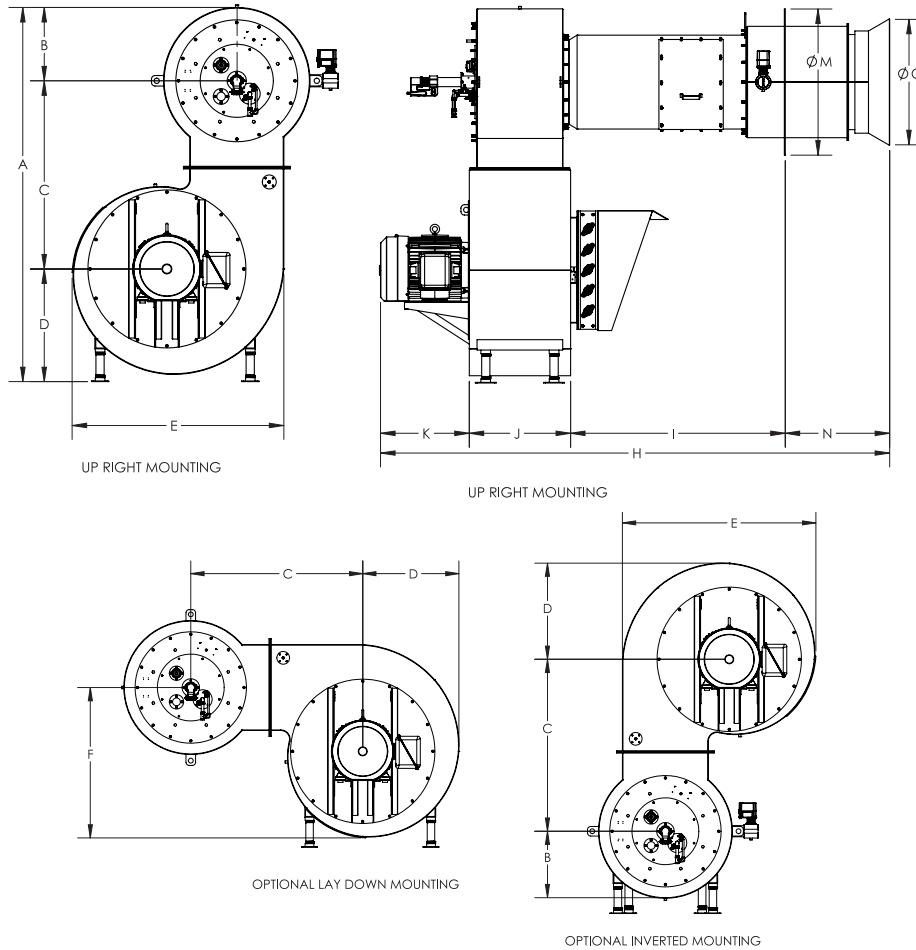


HDRA-RF Back View



Webster Combustion has the best lead times in the industry. To configure the perfect HDRA-RF burner for your application and obtain current scheduling information, contact us or visit www.webster-engineering.com to locate a sales office in your area.

HDRA-RF Series Typical Dimensions and Ratings



BURNER MODEL	MIN REQ'D GAS PRESS (PSIG)	STD GAS TRAIN SIZE	MAX FIRING RATE (MBH) STD	DIMENSIONS – INCHES														
				A	B	C	D	E	F	G	H	I	J	K	M	N**	O	
HDRA-RF*-50	5	3"	50,220	96.7	18.2	51	27.5	55	42	30.5	100.4	61.7	21.1	18.7	36	30	30	
HDRA-RF*-60	6	3"	62,780	103.7	24.1	52.1	27.5	55	42	30.5	105.4	61.7	24.5	20.3	38	30	32	
HDRA-RF*-80	6	4"	83,700	109.5	24.2	55.1	30.2	60.5	46	33.6	107.2	61.7	24.5	22.1	40	30	34	
HDRA-RF*-100	8	4"	104,600	123.7	24.2	69.3	30.2	60.5	46	33.6	117.9	61.7	32.8	24.3	42	30	36	
HDRA-RF*-120	10	4"	122,520	137.9	31.9	72.5	33.5	67	51	37.2	118.8	61.7	32.8	25.2	44	30	38	
HDRA-RF*-140	14	4"	141,400	144.4	31.9	75.6	30.2	73.7	56	40.9	119.5	61.7	32.8	25.9	46	30	40	
HDRA-RF*-160	5	6"	162,720	144.4	31.9	75.6	36.9	73.8	56	41	123.3	61.7	32.8	25.9	48	30	42	
HDRA-RF*-200	8	6"	204,200	144.4	31.9	75.6	36.9	73.7	56	40.9	119.5	61.7	32.8	25.9	50	30	44	

* Can be "G" (Gas), "O" (Oil) or "C" (Combination Gas/Oil). **30" is standard insertion depth. Contact Webster for change in insertion depth.
All dimensions are reference only. Webster can change dimensions at any time without notice.



The Better Asphalt Burner.

Represented By

619 Industrial Road, Winfield, KS 67156 / Phone: 620-221-7464 / Fax: 620-221-9447
www.webster-engineering.com / sales@webster-engineering.com