

EJB Series Burners

Economical And Versatile Combustion Solutions For Small To Medium Boiler And Process Applications



10 to 60 Boiler HP Range

Benefits Of The EJB Series Burners



The Webster EJB series burners offer years of dependable and economical operation. Designed with economy in mind, Webster EJB burners are durable and easy to start up and service. Our exclusive flame retention head design maintains stable and efficient combustion in a wide variety of furnace configurations and conditions.

As with all of our burners, versatility and flexibility are prime considerations in the Webster EJB series design. EJB

series burners can be adapted to fit in most any furnace configuration and combustion environment and the same burner configuration can be used in multiple applications, making the EJB extremely versatile. In addition, Webster has years of experience firing Natural, LP, and Digester Gas with the EJB burner.

Webster EJB burners are completely factory wired, assembled, and tested so they come to you ready for installation and connection to fuel and electrical supplies. Typical EJB series burners are installed and ready for start-up in a minimal amount of time, saving valuable time and money at your installation. Due to the standardized EJB configurations and the responsiveness of the Webster factory, you can get an EJB in no time when you need one!



EJB Features

Versatile

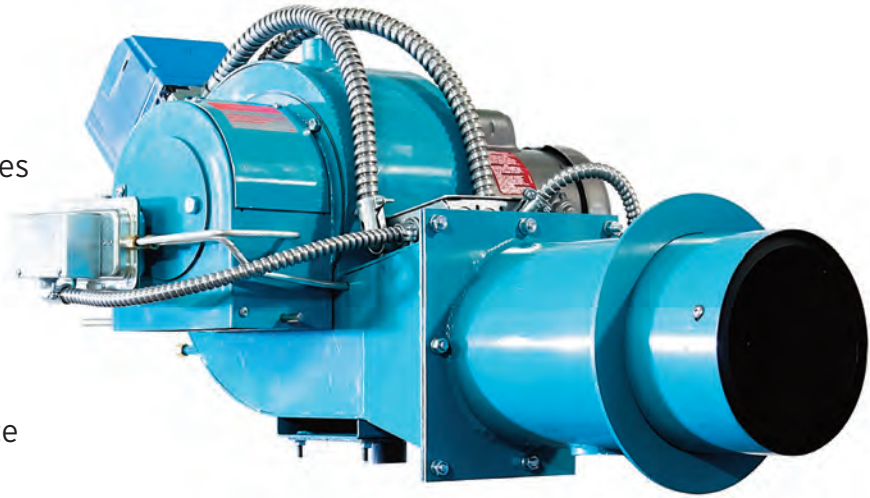
- Fires multiple applications with the same burner configuration
- Available in upright or inverted housing configurations
- Fires Natural or LP Gas
- Designed for all types of boilers, heaters and furnaces
- Proven performance in all types of applications

Reliable

- Outstanding flame stability
- Designed for ease of service
- Quiet operation
- Ultra-violet flame scanner
- UL & ULC Listed

Adaptable

- 400 to 2,500 MBH firing rate
- Upright or inverted housing
- On-Off, Low Fire Start, Low-High-Low, or Modulating operating modes



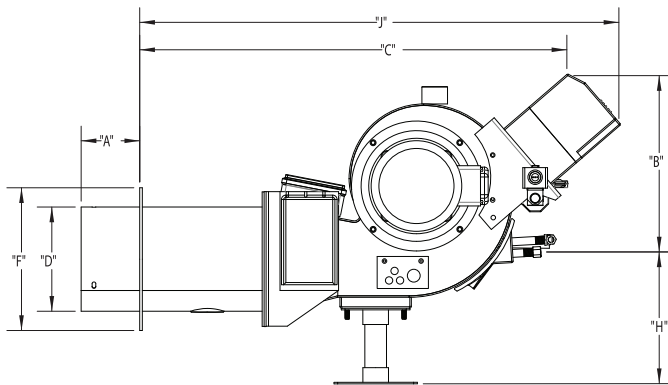
Webster Combustion has the best lead times in the industry. To configure the perfect EJB burner for your application and obtain current scheduling information, contact Webster or visit www.webster-engineering.com to locate a sales office in your area.

EJB Series Typical Dimensions (Inches)

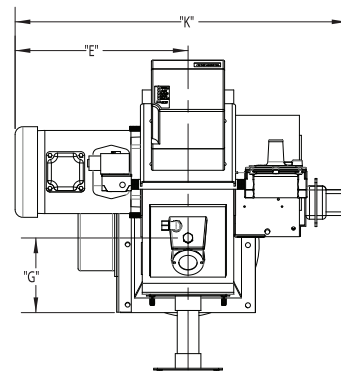
Typical Dimensions For Model EJB1 (in)																	
Burner Model	Min Req'd Gas Press. "wc	Standard Gas Train Size	Max Rate (MBH)	Motor HP	A	B	C	D	E	F	G	H*	J	K	L	M**	N**
EJB1-02	6	1"	1000	1/4	4.0	16.0	23.3	7.3	11.8	9.8	5.0	9.0	32.7	21.8	7.7	34.4	13
EJB1-03	8	1-1/4"	1500	1/3													
EJB1-05	7	1-1/2"	2000	1/2													
EJB1-07	9	2"	2500	3/4													

* Minimum recommended ** Only use for low-hi-low configuration

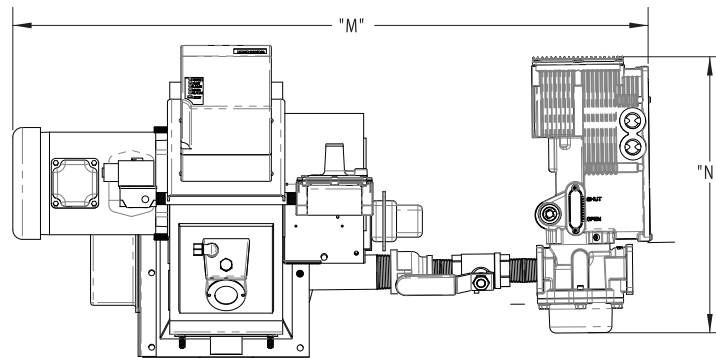
**MOTOR SIDE VIEW
(ON/OFF CONFIGURATION)**



**BACK VIEW
(ON/OFF CONFIGURATION)**



EJB BACK VIEW (LOW-HI-LOW)



**WEBSTER
COMBUSTION**

A Selas Heat Technology Company

The Better Boiler Burner.

Represented By

619 Industrial Road, Winfield, KS 67156 / Phone: 620-221-7464 / Fax: 620-221-9447
www.webster-engineering.com / sales@webster-engineering.com