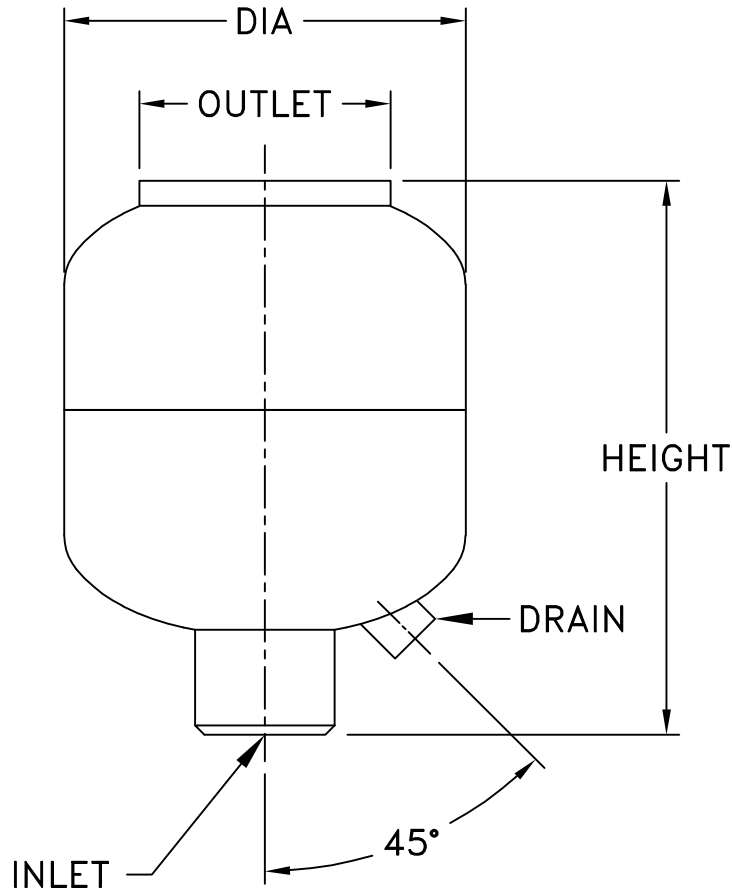


# SILENT EXHAUST HEAD - WELDED INLET - 30", 36" AND 42"



## 30" DIAMETER

SELECTION	
MODEL	20MW12
MATL THK	1/4"
WEIGHT	400 lbs
HEIGHT	35-3/4"
INLET	12"
OUTLET	12-1/2"
DRAIN	2-1/2"

## 36" DIAMETER

SELECTION	
MODEL	20MW14
MATL THK	5/16"
WEIGHT	728 lbs
HEIGHT	40"
INLET	14"
OUTLET	28-1/2"
DRAIN	2-1/2"

## 42" DIAMETER

SELECTION	
MODEL	20MW16
MATL THK	5/16"
WEIGHT	1002 lbs
HEIGHT	45"
INLET	16"
OUTLET	32-1/2"
DRAIN	3"

**WILSON ENGINEERING**

1403 SW 7TH STREET, ATLANTIC, IOWA 50022 (712)-243-5871 WILSONBLOWDOWN.COM



DATE: 4/1/2020 | DRAWN BY: 3B | APPROVED: | DWG No.: W-312