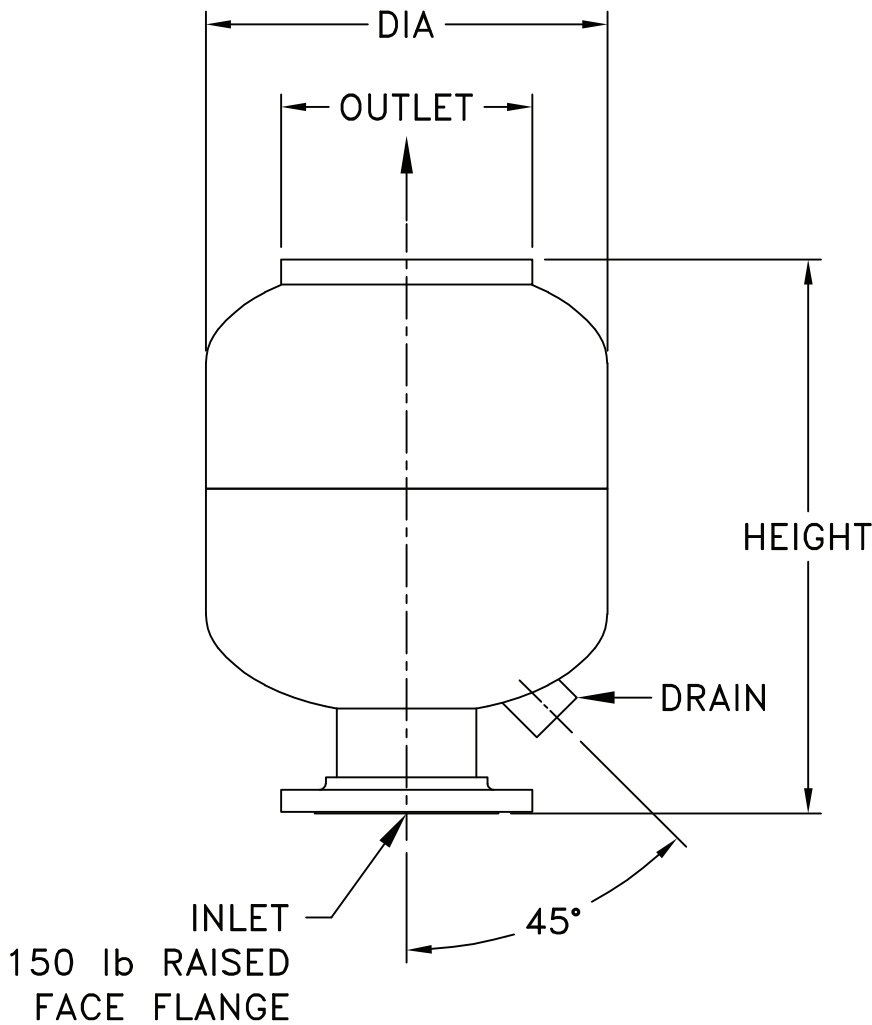


SILENT EXHAUST HEAD - FLANGED INLET - 16" AND 24"



16" DIAMETER

SELECTION		
MODEL	20MF2	20MF2-1/2
MATL THK	1/4"	1/4"
WEIGHT	91 lbs	104 lbs
HEIGHT	13-1/2"	13-1/2"
INLET	2"	2-1/2"
OUTLET	4"	5"
DRAIN	3/4"	3/4"

SELECTION		
MODEL	20MF3	20MF4
MATL THK	1/4"	1/4"
WEIGHT	92 lbs	105 lbs
HEIGHT	22"	22"
INLET	3"	4"
OUTLET	8-5/8"	8-5/8"
DRAIN	1"	1"

SELECTION		
MODEL	20MF5	20MF6
MATL THK	1/4"	1/4"
WEIGHT	112 lbs	120 lbs
HEIGHT	22-1/8"	22-1/8"
INLET	5"	6"
OUTLET	20-3/8"	20-3/8"
DRAIN	2"	2"

24" DIAMETER

SELECTION		
MODEL	20MF8	20MF10
MATL THK	1/4"	1/4"
WEIGHT	268 lbs	376 lbs
HEIGHT	30"	30"
INLET	8"	10"
OUTLET	24-1/2"	28-1/2"
DRAIN	2-1/2"	2-1/2"

WILSON ENGINEERING

1403 SW 7TH STREET, ATLANTIC, IOWA 50022 (712)-243-5871 WILSONBLOWDOWN.COM



DATE: 4/1/2020 | DRAWN BY: 3B | APPROVED: | DWG No.: W-314