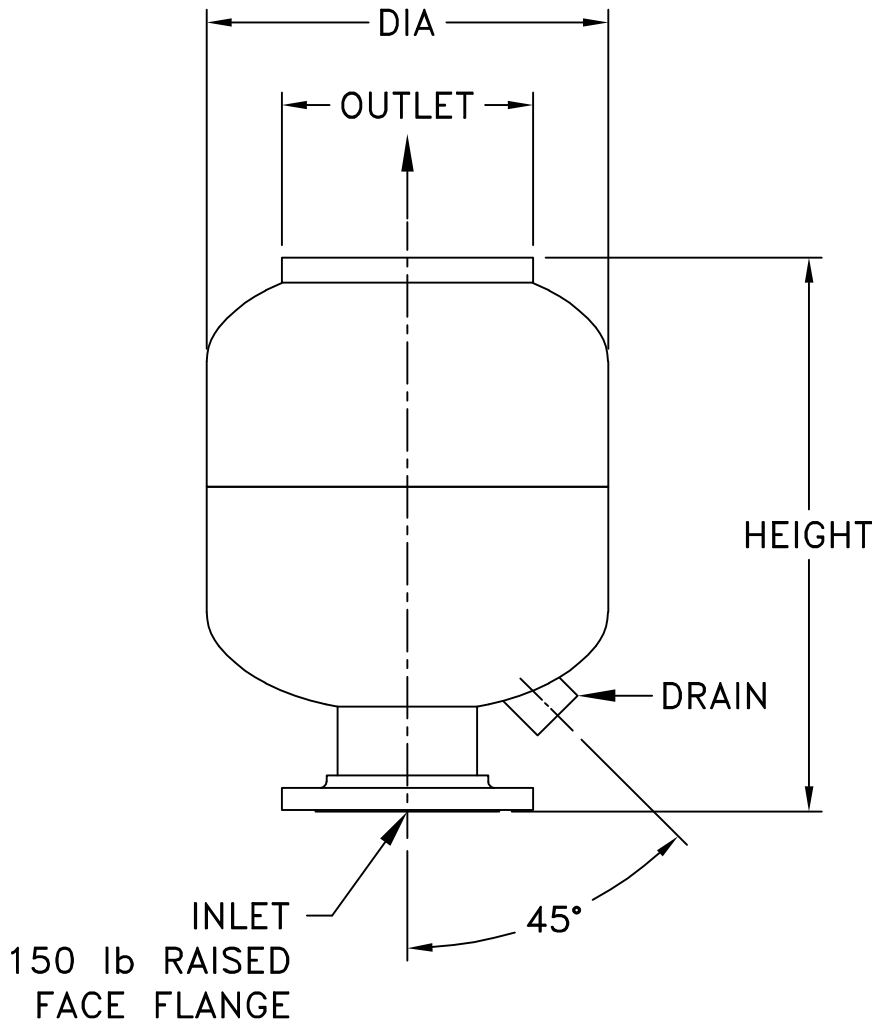


SILENT EXHAUST HEAD - FLANGED INLET - 48", 54" AND 60"



48" DIAMETER

SELECTION	
MODEL	20MF18
MATL THK	3/8"
WEIGHT	1350 lbs
HEIGHT	45"
INLET	18"
OUTLET	36"
DRAIN	3"

54" DIAMETER

SELECTION	
MODEL	20MF20
MATL THK	5/16"
WEIGHT	1522 lbs
HEIGHT	57"
INLET	20"
OUTLET	40"
DRAIN	3"

60" DIAMETER

SELECTION	
MODEL	20MF24
MATL THK	5/16"
WEIGHT	2495 lbs
HEIGHT	56-3/4"
INLET	24"
OUTLET	48"
DRAIN	4"

WILSON ENGINEERING

1403 SW 7TH STREET, ATLANTIC, IOWA 50022 (712)-243-5871 WILSONBLOWDOWN.COM



DATE: 4/1/2020 | DRAWN BY: 3B | APPROVED: | DWG No.: W-316