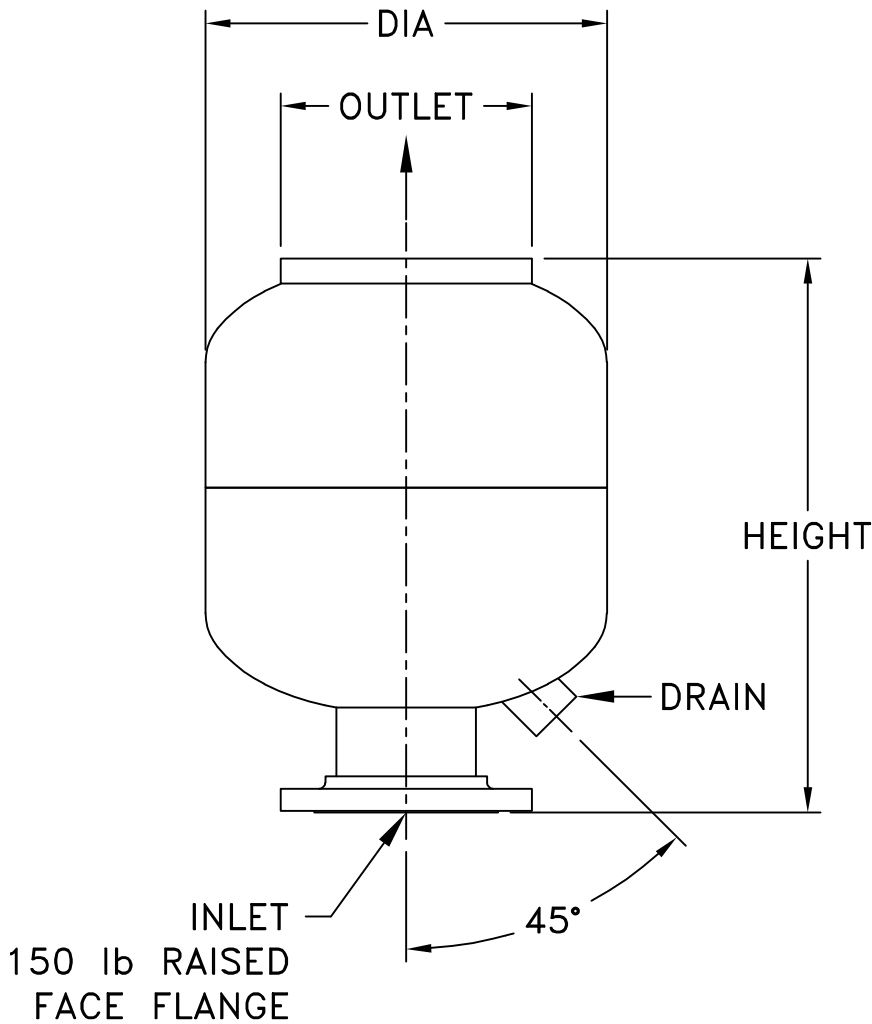


SILENT EXHAUST HEAD - FLANGED INLET - 30", 36" AND 42"



30" DIAMETER

SELECTION	
MODEL	20MF12
MATL THK	1/4"
WEIGHT	461 lbs
HEIGHT	35-3/4"
INLET	12"
OUTLET	12-1/2"
DRAIN	2-1/2"

36" DIAMETER

SELECTION	
MODEL	20MF14
MATL THK	5/16"
WEIGHT	818 lbs
HEIGHT	40"
INLET	14"
OUTLET	28-1/2"
DRAIN	2-1/2"

42" DIAMETER

SELECTION	
MODEL	20MF16
MATL THK	5/16"
WEIGHT	1100 lbs
HEIGHT	45"
INLET	16"
OUTLET	32-1/2"
DRAIN	3"

WILSON ENGINEERING

1403 SW 7TH STREET, ATLANTIC, IOWA 50022 (712)-243-5871 WILSONBLOWDOWN.COM



DATE: 4/1/2020 | DRAWN BY: 3B | APPROVED: | DWG No.: W-315