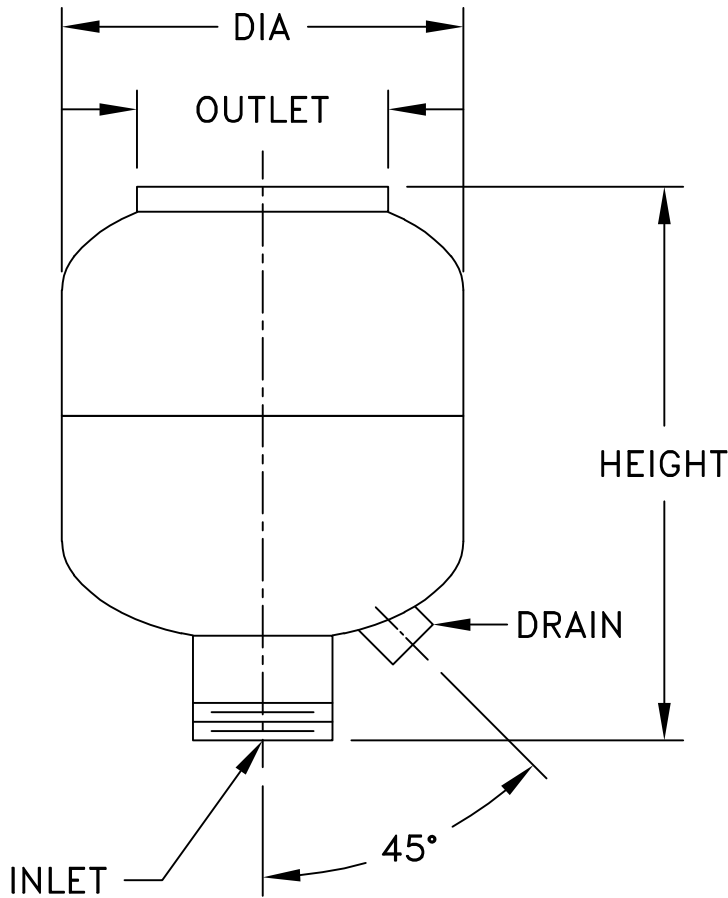


# SILENT EXHAUST HEAD - THREADED INLET - 16"



16" DIAMETER		
SELECTION		
MODEL	20M2	20M2-1/2
MATL THK	1/4"	1/4"
WEIGHT	82 lbs	91 lbs
HEIGHT	13-1/2"	13-1/2"
INLET	2"	2-1/2"
OUTLET	4"	5"
DRAIN	3/4"	3/4"
SELECTION		
MODEL	20M3	20M4
MATL THK	3/16"	3/16"
WEIGHT	83 lbs	92 lbs
HEIGHT	22"	22"
INLET	3"	4"
OUTLET	8-5/8"	8-5/8"
DRAIN	1"	1"
SELECTION		
MODEL	20M5	20M6
MATL THK	3/16"	3/16"
WEIGHT	97 lbs	104 lbs
HEIGHT	22-1/8"	22-1/8"
INLET	5"	6"
OUTLET	20-3/8"	20-3/8"
DRAIN	2"	2"

**WILSON ENGINEERING**

1403 SW 7TH STREET, ATLANTIC, IOWA 50022 (712)-243-5871 WILSONBLOWDOWN.COM



DATE: 4/1/2020

DRAWN BY: 3B

APPROVED:

DWG No.: W-310